

INNOGAZ COUPLERS

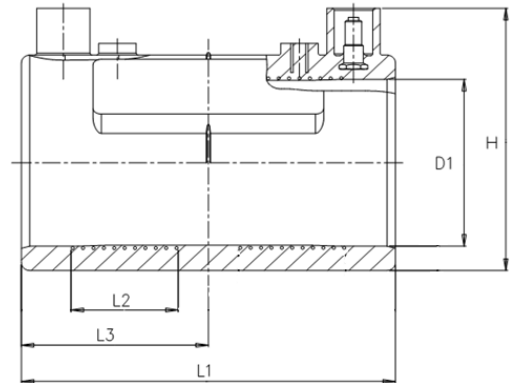
PE 4710

Maximum working pressure 160 psi (water) / 100 psi (gas)

All dimensions in inches.

Please refer to Innogaz HDPE safety fittings technical guidelines for safe installation and operation.

Innogaz couplers are designed for jointing SDR 11 pipes and fittings up to 2" and SDR 17,6 and SDR 11 pipes and fittings above 2".



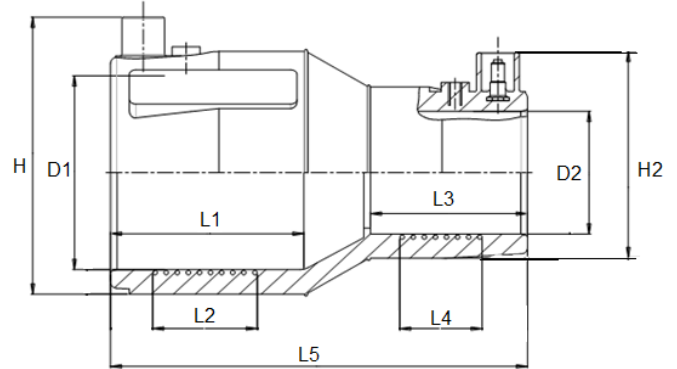
d	Reference	D1	L1	L2	L3	H
1/2 CTS	09MAN350002	0,629	2,5985	0,5315	1,2995	1,4865
3/4 IPS	09MAN350602	1,057	2,992	0,817	1,496	1,949
1 CTS	09MAN350202	1,132	3,2085	0,807	1,5645	2,2145
1 IPS	09MAN350702	1,321	3,2285	0,748	1,614	2,244
1-1/4 IPS	09MAN350802	1,673	3,563	0,925	1,7715	2,6375
1-1/2 IPS	09MAN350902	1,925	3,8585	0,866	1,929	3,0515
2 IPS	09MAN351102	2,4015	4,35	1,1415	2,1755	3,681
3 IPS	61694000	88,8	138	40,4	69	126,5
4 IPS	61694100	114,1	159	44,8	79,5	153,6
6 IPS	61669000	167,9	190	47,8	95	213,1
8 IPS	61669100	219,1	235	63,2	117,5	271

INNOGAZ REDUCERS

PE 4710

Maximum working pressure 160 psi (water)
/ 100 psi (gas)

Innogaz couplers are designed for jointing SDR 11 pipes and fittings up to 2" and SDR 17,6 and SDR 11 pipes and fittings above 2".



d ₁ x d ₂	Reference	D1	D2	L1	L2	L3	L4	L5	H	H2
¾ IPS x ½ CTS	09REL360502	1,053	0,631	1,575	0,886	1,339	0,650	3,189	2,048	1,536
1 CTS x ½ CTS	09REL360002	1,132	0,629	1,595	0,807	1,339	0,551	3,229	2,087	1,575
1 CTS x ¾ IPS	09REL360102	1,132	1,059	1,693	0,906	1,536	0,808	3,288	2,217	1,969
1 CTS x 1 IPS	09REL360202	1,321	1,128	1,555	0,797	1,555	0,797	3,189	2,225	2,225
1-¼ CTS x 1 CTS										
2 IPS x 1-¼ IPS	09REL360402	2,390	1,673	2,303	1,083	1,929	0,945	5,040	3,583	2,697

All dimensions in inches.

Please refer to Innogaz HDPE safety fittings technical guidelines for safe installation and operation.

INNOGAZ LOW VOLUME TAPPING TEES

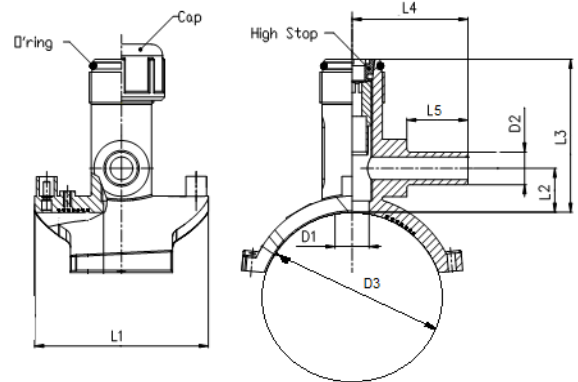
PE 3408

**Maximum working pressure 160 psi (water)
/ 100 psi (gas)**

All dimensions in inches.

Please refer to Innogaz HDPE safety fittings technical guidelines for safe installation and operation.

Innogaz tapping tees are designed for jointing SDR 11 pipes and fittings up to 2" and SDR 17,6 and SDR 11 pipes and fittings above 2".



d1	d2	Number	D1	D2	L1	L2	L3	L4	L5
1-1/4 IPS	1/2 CTS	09LVT270005	0,827	0,626	4,252	0,906	3,544	3,032	1,693
1-1/4 IPS	1 CTS	09LVT270105	0,827	1,126	4,252	0,906	3,544	3,032	1,930
1-1/4 IPS	1/2 IPS	09LVT270205	0,827	0,839	4,252	0,906	3,544	3,032	1,693
1-1/4 IPS	3/4 IPS	09LVT270305	0,827	1,051	4,252	0,906	3,544	3,032	1,930
1-1/4 IPS	1/2 CTS	22LVT270005	0,827	0,626	4,252	0,906	3,544	3,032	1,693
1-1/4 IPS	1 CTS	22LVT270105	0,827	1,126	4,252	0,906	3,544	3,032	1,930
1-1/4 IPS	3/4 IPS	22LVT270305	0,827	1,051	4,252	0,906	3,544	3,032	1,930
1-1/4 IPS	1 IPS	22LVT270405	0,827	1,315	4,252	0,906	3,544	3,032	1,654
1-1/4 IPS	1/2 CTS	10LVT260005	0,827	0,626	4,252	0,906	3,544	3,032	1,693
1-1/4 IPS	1 CTS	10LVT260105	0,827	1,126	4,252	0,906	3,544	3,032	1,930
1-1/4 IPS	3/4 IPS	10LVT260305	0,827	1,051	4,252	0,906	3,544	3,032	1,930
1-1/4 IPS	1 IPS	10LVT260405	0,827	1,315	4,252	0,906	3,544	3,032	1,654
1 1/2 IPS	1 CTS	09LVT271105	0,827	1,126	4,252	0,985	3,622	3,032	1,930
1 1/2 IPS	1 CTS	22LVT271105	0,827	1,126	4,252	0,985	3,622	3,032	1,930
2 IPS	1/2 CTS	09LVT272005	0,827	0,626	4,252	0,985	3,622	3,032	1,693
2 IPS	1 CTS	09LVT272105	0,827	1,051	4,252	0,985	3,622	3,032	1,969
2 IPS	3/4 IPS	09LVT272305	0,827	1,126	4,252	0,985	3,622	3,032	1,969
2 IPS	1 IPS	09LVT272405	0,827	1,315	4,252	0,985	3,622	3,032	1,654
2 IPS	1/2 CTS	22LVT272005	0,827	0,626	4,213	0,985	3,622	3,032	1,693
2 IPS	1 CTS	22LVT272105	0,827	1,051	4,213	0,985	3,622	3,032	1,969
2 IPS	3/4 IPS	22LVT272305	0,827	1,126	4,213	0,985	3,622	3,032	1,969
2 IPS	1 IPS	22LVT272405	0,827	1,315	4,213	0,985	3,622	3,032	1,654
2 IPS	1/2 CTS	10LVT262005	0,827	0,626	4,213	0,985	3,622	3,032	1,693
2 IPS	1 CTS	10LVT262105	0,827	1,051	4,213	0,985	3,622	3,032	1,969
2 IPS	3/4 IPS	10LVT262305	0,827	1,126	4,213	0,985	3,622	3,032	1,969
2 IPS	1 IPS	10LVT262405	0,827	1,315	4,213	0,985	3,622	3,032	1,654

(continued on next page)

INNOGAZ LOW VOLUME TAPPING TEES

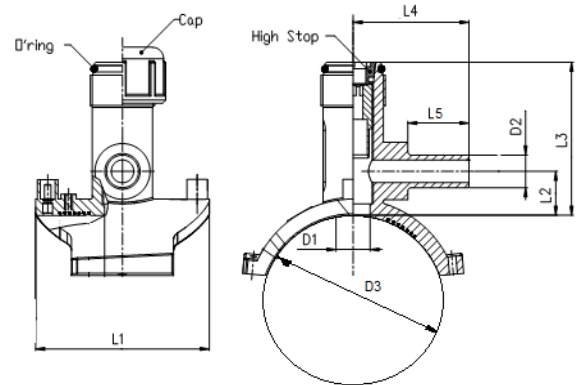
PE 3408

**Maximum working pressure 160 psi (water)
/ 100 psi (gas)**

All dimensions in inches.

Please refer to Innogaz HDPE safety fittings technical guidelines for safe installation and operation.

Innogaz tapping tees are designed for jointing SDR 11 pipes and fittings up to 2" and SDR 17,6 and SDR 11 pipes and fittings above 2".



d1	d2	Number	D1	D2	L1	L2	L3	L4	L5
3IPS	1/2CTS	09LVT273005	0,827	0,626	4,252	0,985	3,622	3,032	1,693
3IPS	1CTS	09LVT273105	0,827	1,051	4,252	0,985	3,622	3,032	1,969
3IPS	3/4IPS	09LVT273305	0,827	1,126	4,252	0,985	3,622	3,032	1,969
3IPS	1IPS	09LVT273405	0,827	1,315	4,252	0,985	3,622	3,032	1,654
3IPS	1/2CTS	22LVT273005	0,827	0,626	4,252	0,985	3,622	3,032	1,693
3IPS	1CTS	22LVT273105	0,827	1,051	4,252	0,985	3,622	3,032	1,969
3IPS	3/4IPS	22LVT273305	0,827	1,126	4,252	0,985	3,622	3,032	1,969
3IPS	1IPS	22LVT273405	0,827	1,315	4,252	0,985	3,622	3,032	1,654
3IPS	1/2CTS	10LVT263005	0,827	0,626	4,252	0,985	3,622	3,032	1,693
3IPS	1CTS	10LVT263105	0,827	1,051	4,252	0,985	3,622	3,032	1,969
3IPS	3/4IPS	10LVT263305	0,827	1,126	4,252	0,985	3,622	3,032	1,969
3IPS	1IPS	10LVT263405	0,827	1,315	4,252	0,985	3,622	3,032	1,654
4IPS	1/2CTS	09LVT274005	0,945	0,626	4,252	0,985	3,622	3,032	1,693
4IPS	1CTS	09LVT274105	0,945	1,051	4,252	0,985	3,622	3,032	1,969
4IPS	3/4IPS	09LVT274305	0,945	1,126	4,252	0,985	3,622	3,032	1,969
4IPS	1IPS	09LVT274405	0,945	1,315	4,252	0,985	3,622	3,032	1,654
4IPS	1/2CTS	22LVT274005	0,945	0,626	4,252	0,985	3,622	3,032	1,693
4IPS	1CTS	22LVT274105	0,945	1,051	4,252	0,985	3,622	3,032	1,969
4IPS	3/4IPS	22LVT274305	0,945	1,126	4,252	0,985	3,622	3,032	1,969
4IPS	1IPS	22LVT274405	0,945	1,315	4,252	0,985	3,622	3,032	1,654
4IPS	1/2CTS	10LVT264005	0,827	0,626	4,252	0,985	3,622	3,032	1,693
4IPS	1CTS	10LVT264105	0,827	1,051	4,252	0,985	3,622	3,032	1,969
4IPS	3/4IPS	10LVT264305	0,827	1,126	4,252	0,985	3,622	3,032	1,969
4IPS	1IPS	10LVT264405	0,827	1,315	4,252	0,985	3,622	3,032	1,654

(continued on next page)

INNOGAZ LOW VOLUME TAPPING TEES

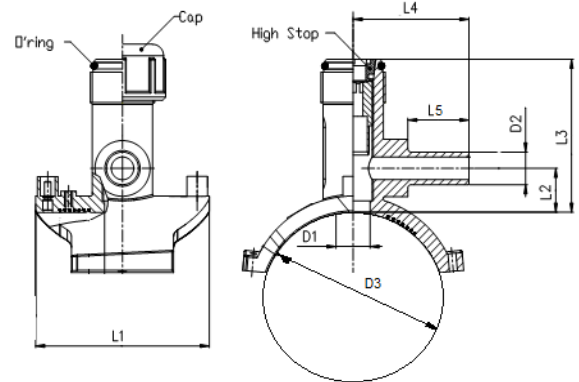
PE 3408

**Maximum working pressure 160 psi (water)
/ 100 psi (gas)**

All dimensions in inches.

Please refer to Innogaz HDPE safety fittings technical guidelines for safe installation and operation.

Innogaz tapping tees are designed for jointing SDR 11 pipes and fittings up to 2" and SDR 17,6 and SDR 11 pipes and fittings above 2".



d1	d2	Number	D1	D2	L1	L2	L3	L4	L5
6IPS	1/2CTS	09LVT275005	0,945	0,626	4,252	0,985	3,622	3,032	1,693
6IPS	1CTS	09LVT275105	0,945	1,051	4,252	0,985	3,622	3,032	1,969
6IPS	3/4IPS	09LVT275305	0,945	1,126	4,252	0,985	3,622	3,032	1,969
6IPS	1IPS	09LVT275405	0,945	1,315	4,252	0,985	3,622	3,032	1,654
6IPS	1/2CTS	22LVT275005	0,945	0,626	4,252	0,985	3,622	3,032	1,693
6IPS	1CTS	22LVT275105	0,945	1,051	4,252	0,985	3,622	3,032	1,969
6IPS	3/4IPS	22LVT275305	0,945	1,126	4,252	0,985	3,622	3,032	1,969
6IPS	1IPS	22LVT275405	0,945	1,315	4,252	0,985	3,622	3,032	1,654
6IPS	1/2CTS	10LVT265005	0,827	0,626	4,252	0,985	3,622	3,032	1,693
6IPS	1CTS	10LVT265105	0,827	1,051	4,252	0,985	3,622	3,032	1,969
6IPS	3/4IPS	10LVT265305	0,827	1,126	4,252	0,985	3,622	3,032	1,969
6IPS	1IPS	10LVT265405	0,827	1,315	4,252	0,985	3,622	3,032	1,654
8IPS	1/2CTS	09LVT276005	0,945	0,626	4,252	0,985	3,622	3,032	1,693
8IPS	1CTS	09LVT276105	0,945	1,051	4,252	0,985	3,622	3,032	1,969
8IPS	3/4IPS	09LVT276305	0,945	1,126	4,252	0,985	3,622	3,032	1,969
8IPS	1IPS	09LVT276405	0,945	1,315	4,252	0,985	3,622	3,032	1,654
8IPS	1/2CTS	22LVT276005	0,945	0,626	4,252	0,985	3,622	3,032	1,693
8IPS	1CTS	22LVT276105	0,945	1,051	4,252	0,985	3,622	3,032	1,969
8IPS	3/4IPS	22LVT276305	0,945	1,126	4,252	0,985	3,622	3,032	1,969
8IPS	1IPS	22LVT276405	0,945	1,315	4,252	0,985	3,622	3,032	1,654
8IPS	1/2CTS	10LVT266005	0,827	0,626	4,252	0,985	3,622	3,032	1,693
8IPS	1CTS	10LVT266105	0,827	1,051	4,252	0,985	3,622	3,032	1,969
8IPS	3/4IPS	10LVT266305	0,827	1,126	4,252	0,985	3,622	3,032	1,969
8IPS	1IPS	10LVT266405	0,827	1,315	4,252	0,985	3,622	3,032	1,654

INNOGAZ MEDIUM VOLUME TAPPING TEES

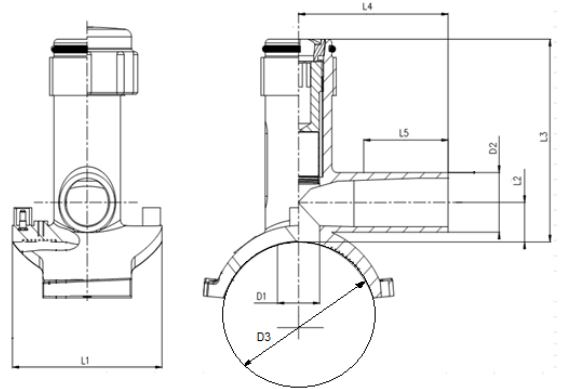
PE 3408

**Maximum working pressure 160 psi (water)
/ 100 psi (gas)**

All dimensions in inches.

Please refer to Innogaz HDPE safety fittings technical guidelines for safe installation and operation.

Innogaz tapping tees are designed for jointing SDR 11 pipes and fittings up to 2" and SDR 17,6 and SDR 11 pipes and fittings above 2".



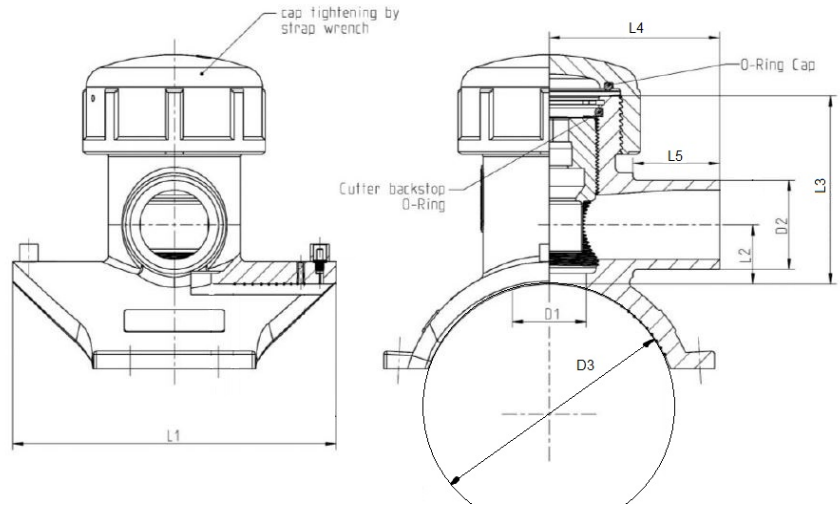
d1	d2	Number	D1	D2	L1	L2	L3	L4	L5
6IPS	1/2CTS	09LVT275005	0,945	0,626	4,252	0,985	3,622	3,032	1,693
6IPS	1CTS	09LVT275105	0,945	1,051	4,252	0,985	3,622	3,032	1,969
6IPS	3/4IPS	09LVT275305	0,945	1,126	4,252	0,985	3,622	3,032	1,969
6IPS	1IPS	09LVT275405	0,945	1,315	4,252	0,985	3,622	3,032	1,654
6IPS	1/2CTS	22LVT275005	0,945	0,626	4,252	0,985	3,622	3,032	1,693
6IPS	1CTS	22LVT275105	0,945	1,051	4,252	0,985	3,622	3,032	1,969
6IPS	3/4IPS	22LVT275305	0,945	1,126	4,252	0,985	3,622	3,032	1,969
6IPS	1IPS	22LVT275405	0,945	1,315	4,252	0,985	3,622	3,032	1,654
6IPS	1/2CTS	10LVT265005	0,827	0,626	4,252	0,985	3,622	3,032	1,693
6IPS	1CTS	10LVT265105	0,827	1,051	4,252	0,985	3,622	3,032	1,969
6IPS	3/4IPS	10LVT265305	0,827	1,126	4,252	0,985	3,622	3,032	1,969
6IPS	1IPS	10LVT265405	0,827	1,315	4,252	0,985	3,622	3,032	1,654
8IPS	1/2CTS	09LVT276005	0,945	0,626	4,252	0,985	3,622	3,032	1,693
8IPS	1CTS	09LVT276105	0,945	1,051	4,252	0,985	3,622	3,032	1,969
8IPS	3/4IPS	09LVT276305	0,945	1,126	4,252	0,985	3,622	3,032	1,969
8IPS	1IPS	09LVT276405	0,945	1,315	4,252	0,985	3,622	3,032	1,654
8IPS	1/2CTS	22LVT276005	0,945	0,626	4,252	0,985	3,622	3,032	1,693
8IPS	1CTS	22LVT276105	0,945	1,051	4,252	0,985	3,622	3,032	1,969
8IPS	3/4IPS	22LVT276305	0,945	1,126	4,252	0,985	3,622	3,032	1,969
8IPS	1IPS	22LVT276405	0,945	1,315	4,252	0,985	3,622	3,032	1,654
8IPS	1/2CTS	10LVT266005	0,827	0,626	4,252	0,985	3,622	3,032	1,693
8IPS	1CTS	10LVT266105	0,827	1,051	4,252	0,985	3,622	3,032	1,969
8IPS	3/4IPS	10LVT266305	0,827	1,126	4,252	0,985	3,622	3,032	1,969
8IPS	1IPS	10LVT266405	0,827	1,315	4,252	0,985	3,622	3,032	1,654

INNOGAZ HIGH VOLUME TAPPING TEES

PE 3408

Maximum working pressure
160 psi (water) / 100 psi (gas)

Innogaz tapping tees are designed for jointing SDR 11 pipes and fittings up to 2" and SDR 17,6 and SDR 11 pipes and fittings above 2".



d1	d2	Number	D1	D2	L1	L2	L3	L4	L5
4IPS	2IPS	61694200	1,969	2,374	7,481	1,575	5,000	4,567	2,323
6IPS	2IPS	61694300	1,969	2,374	8,662	1,575	5,000	4,567	2,323
8IPS	2IPS	61694400	1,969	2,374	8,662	1,575	5,000	4,567	2,323

All dimensions in inches.

Please refer to Innogaz HDPE safety fittings technical guidelines for safe installation and operation.